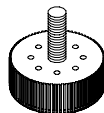
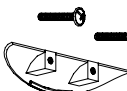
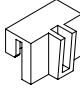
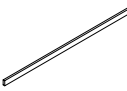
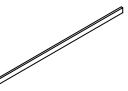

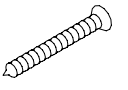
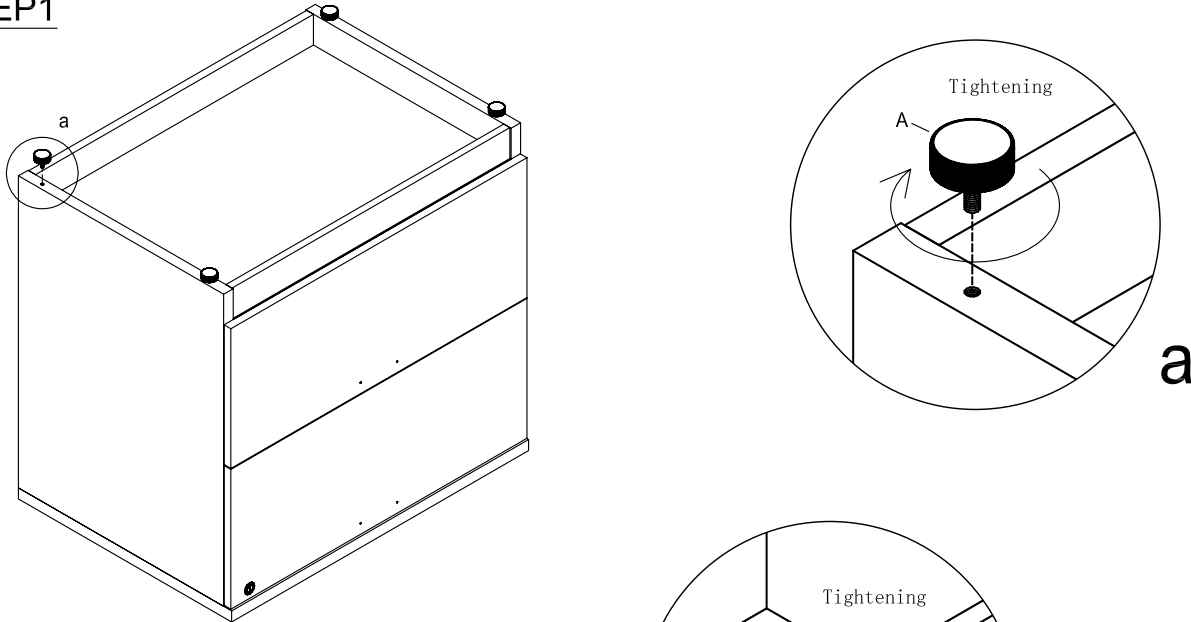
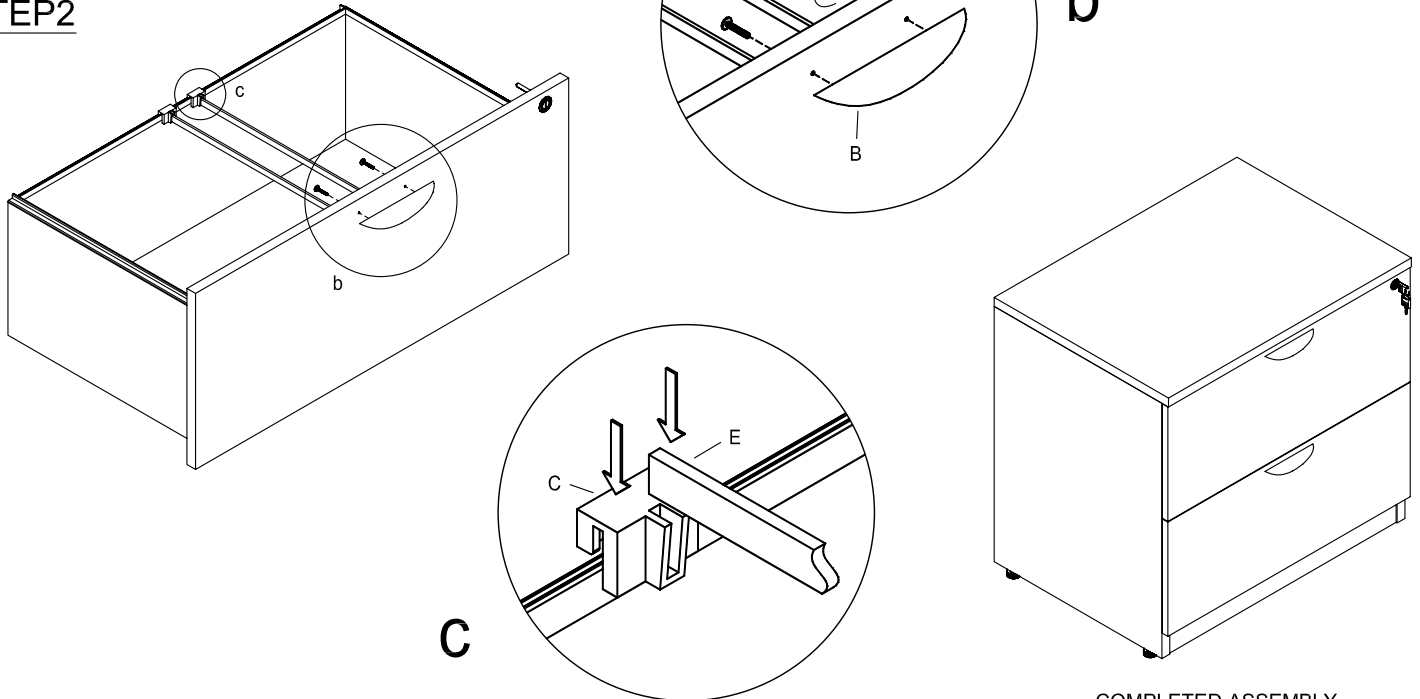


<p>TUN021AG</p> <p>A</p>  <p>Adjustable Glide 4 Pcs</p>	<p>B</p>  <p>96mm Metal Scallop Shape Handle 2 Sets</p>	<p>TUN001FC</p> <p>C</p>  <p>File Clip 8 Pcs+2Pcs(spare)</p>	<p>D</p>  <p>792*16*3mm Aluminium Bar 2 Pcs</p>	<p>E</p>  <p>378*16*3mm Aluminium Bar 4 Pcs</p>	<p>F</p>  <p>Keys 1 Set</p>	<p>G</p>  <p>Screw #4*35 4 Pcs+1 Pc(spare)</p>
---	---	--	---	--	---	--

STEP1



STEP2



COMPLETED ASSEMBLY

IMPORTANT NOTE:

- Place all laminated parts on a clean and smooth surface such as a rug or carpet to avoid the parts from being scratched.
- Check to be sure that you have all parts and hardware.
- Remove all wrapping materials, including staples & packing straps before you start to assemble.
- Don't tighten all screws/bolts until all completely assembled.
- Keep all hardware parts out of reach of children.